

**DESCRIPTION**

Solenoid valve 2 way normally closed  
direct acting poppet type.

With explosion proof coil certified for hazardous area:

**ATEX II 2GDEx d IIC T6 o T5 o T4 Gb**

**Ex tb IIIC T80°C o T95°C o T130°C Db IP66**

**Tamb -40°C ÷ +35°C(T6) o +50°C(T5) o +60°C(T4)**

(other certifications e.g.EAC, INMETRO, CCOE etc. on request)



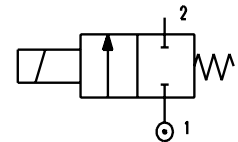
**2**

**VALVE CONSTRUCTION**

Body Brass  
Seal material FPM

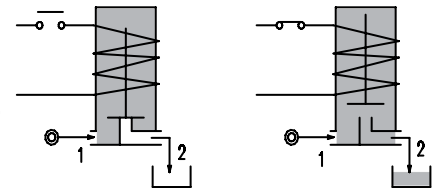
**EXPLOSION PROOF COIL CONSTRUCTION**

Housing Red colour alloy (painted with epoxy powder)  
Electrical connection 1/2" NPT (M20x1 on request)



**FEATURES**

Maximum allowable pressure PS 80bar  
Maximum fluid viscosity 25cSt (mm<sup>2</sup>/s)  
Ambient temperature: -40°C ÷ +35°C(T6), +50°C(T5), +60°C(T4)  
Mounting position with vertical coil above



**OPTIONS:** Manual override  
Electroless nickel plating  
Stainless steel seat insert (up to Ø4.5)

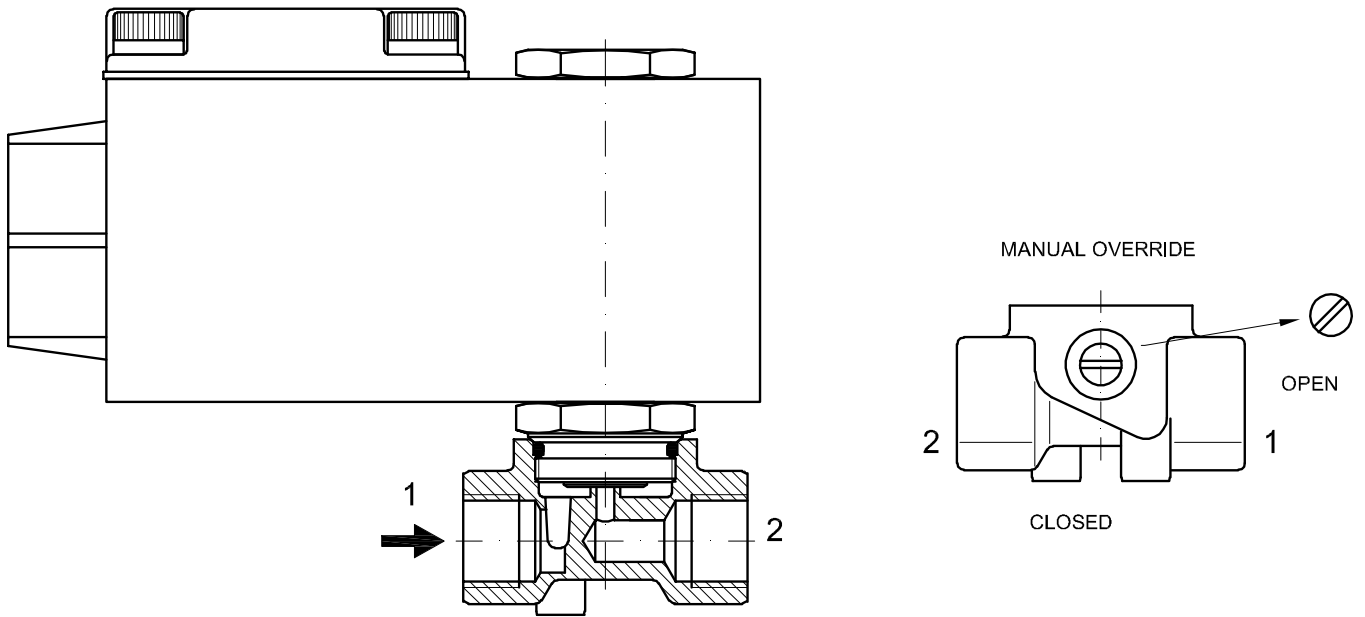
**NOTE:** The solenoid valve is suitable only with media that are **NOT** potentially explosive

CODE ②	Connection G ISO 228	Orifice mm	Kv m <sup>3</sup> /h	Differential pressure bar			Nominal power		Coil series	Seal	Temp. range °C
				Min	Max		AC Holding	DC			
					AC	DC					
A106AV15///...	1/8"	1.5	0.07	0	30	26	12 VA	8W	A6	FPM=V	-10 +80
A106AV20///...		2	0.1	0	22	20					
A106AV25///...		2.5	0.15	0	16	14					
A106AV35///...		3.5	0.32	0	10	8					
A106BV15///...	1/4"	1.5	0.07	0	30	26					
A106BV20///...		2	0.1	0	22	20					
A106BV25///...		2.5	0.15	0	16	14					
A106BV35///...		3.5	0.32	0	10	8					
A106BV45///...		4.5	0.41	0	6.5	3.5					
A106BV52///...		5.2	0.47	0	4	1.8					
A106BV64///...		6.4	0.64	0	3	1					

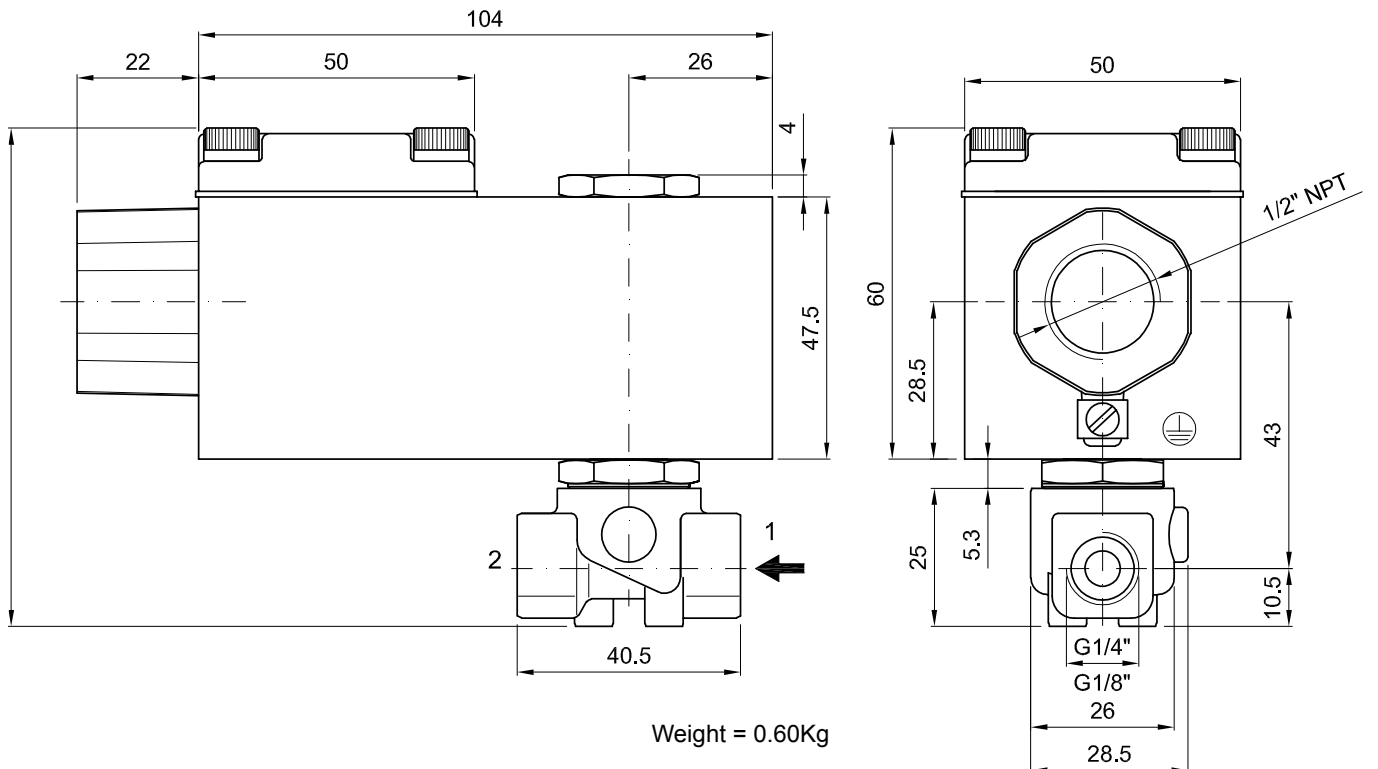
② Coil

COILS	Alternating Current 50/60Hz (V)				Direct Current (V)			Electrical connection
	24	48	110	220 230	12	24	48	
Series A6 Code ②	A6B	A6C	A6D	A6E	A60	A61	A62	1/2" NPT

**DESCRIPTION**  
 Voltage tolerance  
 AC +15% -10%  
 DC ± 10%  
 Protection class IP66  
 Continuous service ED100%



### OVERALL DIMENSION



**DESCRIPTION**

Solenoid valve 2 way normally closed direct acting poppet type.

With explosion proof coil certified for hazardous area:

**ATEX II 2GDEx d IIC T6 o T5 o T4 Gb**

**Ex tb IIIC T80°C o T95°C o T130°C Db IP66**

**Tamb -40°C ÷ +35°C(T6) o +50°C(T5) o +60°C(T4)**

(other certifications e.g.EAC, INMETRO, CCOE etc. on request)



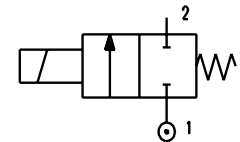
**2**

**VALVE CONSTRUCTION**

Body Brass  
Seal material FPM

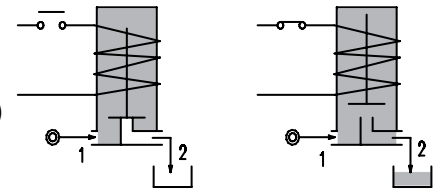
**EXPLOSION PROOF COIL CONSTRUCTION**

Housing Red colour alloy (painted with epoxy powder)  
Electrical connection 1/2" NPT



**FEATURES**

Maximum allowable pressure PS 80bar  
Maximum fluid viscosity 25cSt (mm<sup>2</sup>/s)  
Ambient temperature: -40°C ÷ +35°C(T6), +50°C(T5), +60°C(T4)  
Mounting position with vertical coil above



**OPTIONS:** Electroless nickel plating  
Stainless steel seat

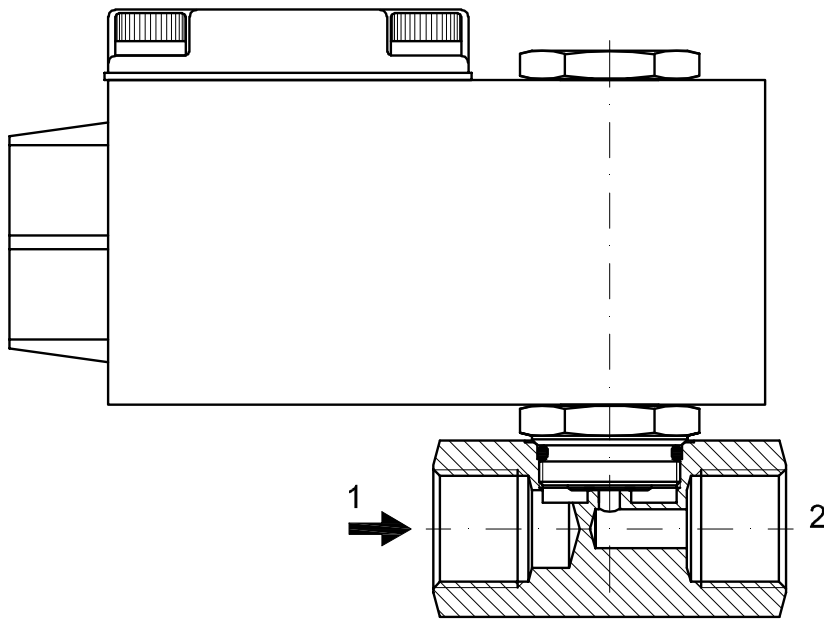
**NOTE:** The solenoid valve is suitable only with media that are **NOT** potentially explosive

CODE ②	Connection G ISO 228	Orifice mm	Kv m <sup>3</sup> /h	Differential pressure bar			Nominal power		Coil series	Seal	Temp. range °C
				Min	Max		AC Holding	DC			
					AC	DC					
A106CV30///...	3/8"	3	0.25	0	15	10	12 VA	8W	A6	FPM=V	-10 +80
A106CV35///...		3.5	0.32	0	10	8					
A106CV40///...		4	0.36	0	8	5					
A106CV45///...		4.5	0.41	0	6.5	3.5					
A106CV52///...		5.2	0.47	0	4	1.8					
A106CV64///...		6.4	0.64	0	3	1					
A106DV30///...	1/2"	3	0.25	0	15	10	12 VA	8W	A6	FPM=V	-10 +80
A106DV35///...		3.5	0.32	0	10	8					
A106DV40///...		4	0.36	0	8	5					
A106DV45///...		4.5	0.41	0	6.5	3.5					
A106DV52///...		5.2	0.47	0	4	1.8					
A106DV64///...		6.4	0.64	0	3	1					

② Coil

COILS	Alternating Current 50/60Hz (V)				Direct Current (V)			Electrical connection
	24	48	110	220 230	12	24	48	
Series A6 Code ②	A6B	A6C	A6D	A6E	A60	A61	A62	1/2" NPT

**DESCRIPTION**  
 Voltage tolerance  
 AC +15% -10%  
 DC ± 10%  
 Protection class IP66  
 Continuous service ED100%



### OVERALL DIMENSION

