

**DESCRIPTION**

Drain valve

**CONSTRUCTION**

Solenoid valve series 106 with:

- Filter ball valve in chromium plated brass and stainless steel strainer, NBR seal  
Connection : inlet G1/2", outlet G3/8" or G1/2"
- Timer ACL mod.11303000
- Connector DIN 43650A code 1034900A



**2**

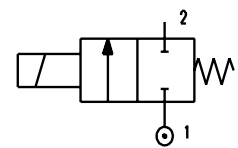
**FEATURES**

Maximum allowable pressure PS 50bar

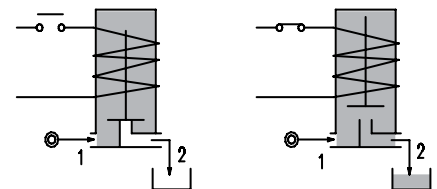
Maximum fluid viscosity 25cSt (mm<sup>2</sup>/s)

Ambient temperature: from -10°C to +80°C according to the coil

Protection class IP65



- OPTIONS:** Electroless nickel plating on the valve body  
Overmoulded DIN cable connector  
c US certified coils



CODE ① ②	Connection G ISO 228	Orifice mm	Kv m <sup>3</sup> /h	Differential pressure bar			Nominal power			Coil		Seal ①	Temp. range °C
				Min	Max		AC Inrush	VA Holding	DC Watt	Series	Width		
					AC	DC							
S106BV30///...	1/4"	3	0.18	0	14	6	20	15	10	2	30	FPM=V	-10 +140
S106BV40///...		4	0.26	0	7	3							
S106C...30///...	3/8"	3	0.25	0	15	10	20	15	10	2	30	NBR=B	-10 +90
S106C...35///...		3.5	0.32	0	10	8							
S106C...40///...		4	0.36	0	8	5							
S106C...45///...		4.5	0.41	0	6.5	3.5							
S106D...30///...	1/2"	3	0.25	0	15	10	40	30	27	5	36	NBR=B	-10 +90
S106D...35///...		3.5	0.32	0	10	8							
S106D...40///...		4	0.36	0	8	5							
S106D...45///...		4.5	0.41	0	6.5	3.5							
S106C...30///...	3/8"	3	0.25	0	25	24	40	30	27	5	36	NBR=B	-10 +90
S106C...35///...		3.5	0.32	0	20	19							
S106C...40///...		4	0.36	0	16	15							
S106C...45///...		4.5	0.41	0	14	13							
S106D...30///...	1/2"	3	0.25	0	25	24	40	30	27	5	36	NBR=B	-10 +90
S106D...35///...		3.5	0.32	0	20	19							
S106D...40///...		4	0.36	0	16	15							
S106D...45///...		4.5	0.41	0	14	13							

① Seal

② Coil

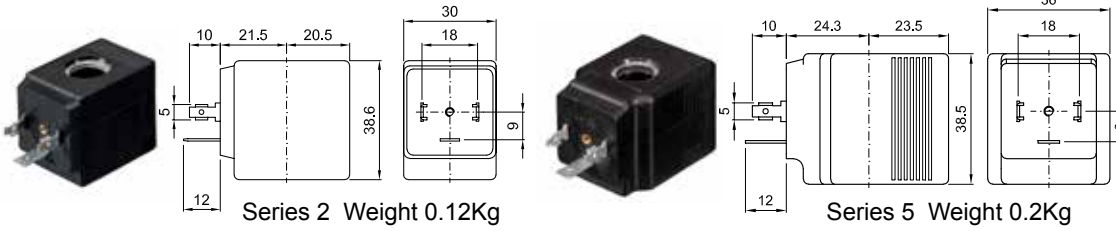
Example: S106CB30///20E NBR seal

Coil 230V 50/60Hz

COILS	Alternating Current 50/60Hz (V)							Direct Current (V)			Electrical connection	Connectors
	12	24	48	110	220 230	240	380	12	24	48		
Series 2 Width 30 Code ②	20A	20B	20C	20D	20E	20F	20G	200	201	202	DIN 43650A	PG9 code 10349000
Series 5 Width 36 Code ②	52A	52B	52C	52D	52E	52F	52G	520	521	522	DIN 43650A	PG11 code 10349001

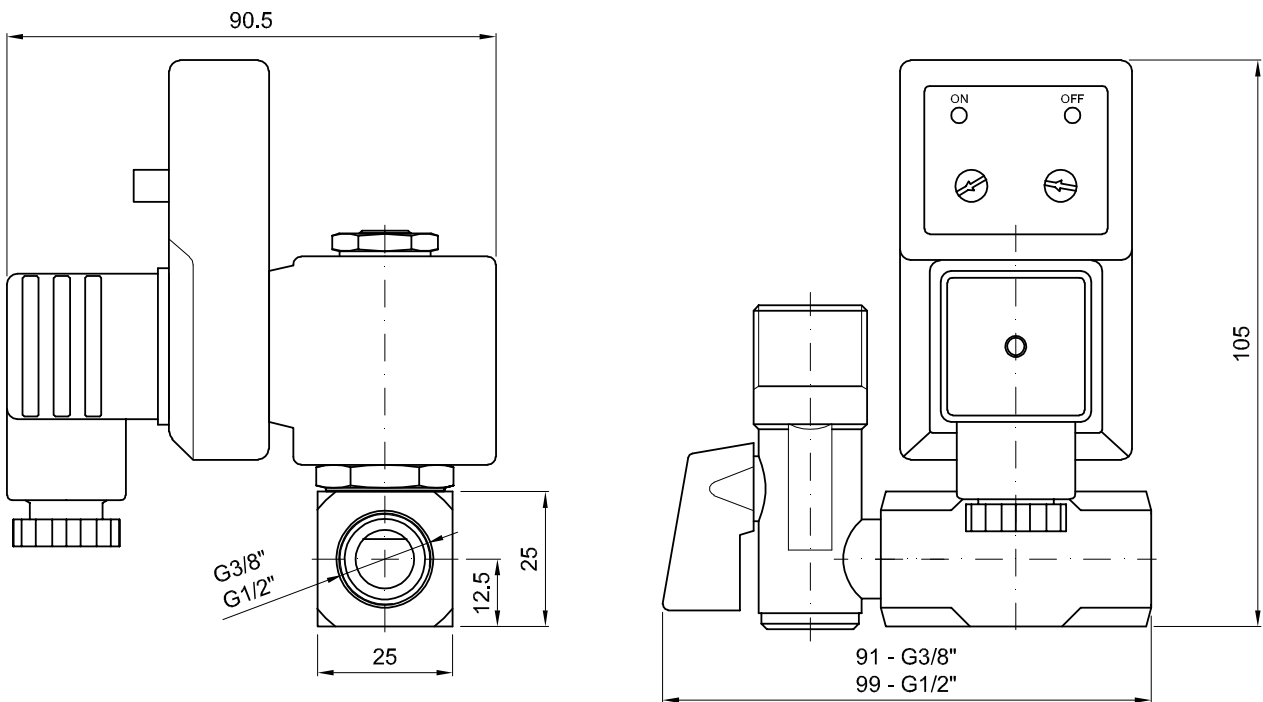
**DESCRIPTION**  
 Insulation class  
 Series 2 =F Series 5=H  
 Voltage tolerance  
 AC +15% -10%  
 DC ± 10%  
 Protection class  
 IP65 with connector fitted  
 IP00 without connector

**OPTIONS**  
 Class H insulation (series 2)  
 Cable attached  
 Special coil voltage  
 Special coil powers  
 c US certified coils



(for more details see section 8)

## OVERALL DIMENSION



Weight with coil series 2=0.52Kg  
 Weight with coil series 5=0.60Kg