

651mHNK

Safety valves made of stainless steel, angle-type with threaded connections

→ Series 651mHNK VA



■ SUITABLE FOR

Hot water



■ EXAMPLES OF USE

For the protection of:

- thermostatically protected closed-circuit water heating systems with flow temperatures of up to 120°C and a permissible heating output of up to 2.700 kW according to TRD 721, DIN 4751 and DIN EN 12828.

Should the thermostatic limiting and control unit fail, the safety valve has to blow-off the total heating output of the boiler as hot water and steam. Thanks to the all-metal design these safety valves can also be installed in cases of high environmental or radiation temperatures

- heating systems for building technology- and industrial-applications
- co-generation plants (CHP)

Safety valves are set and sealed at the factory.

■ APPROVALS

TÜV Type test approval 516	H
EU type examination	H
Requirements	
TRD 721	DIN EN ISO 4126-1
DIN 4751 Part 2	PED 2014/68/EU
DIN EN 12828	UK PESR 2016 No. 1105
Classification society	
American Bureau of Shipping	ABS



■ MATERIAL



■ SPECIFICATION



1/2" – 2"



– 10°C to + 120°C



2,5 bar and 3,0 bar

■ MATERIALS

Component	Material	DIN EN	ASME
Inlet body	Stainless steel	1.4408	CF8M
Outlet body	Stainless steel	1.4408	CF8M
Bonnet	Brass nickel plated	CW617N	CW617N
Internal parts	in contact with the medium	Stainless steel	316L
	Not in contact with media	Brass	CW617N
Spring	Spring steel, rust-protected	1.1200	ASTM A 228

Series 651mHNK VA ■ VALVE VERSION

m	Standard with diaphragm	The diaphragm prevents the medium entering into the spring housing and protects moving parts from being affected by the medium.
----------	-------------------------	---

■ MEDIUM

HN	Hot water (national for Germany)	Flow temperature ≤ 120°C in water heating systems
-----------	----------------------------------	---

■ TYPE OF LIFTING MECHANISM

K	Standard with twist-type lifting mechanism
----------	--

■ VARIANT

VA	Medium contact parts stainless steel
-----------	--------------------------------------

■ AVAILABLE NOMINAL DIAMETERS AND CONNECTION SIZES

Nominal diameter DN	15
Inlet	1/2" (15)
1/2" (15)	
3/4" (20)	■

■ TYPE OF CONNECTION INLET / OUTLET THREADED CONNECTIONS

f / f	Standard	Female thread BSP-P / Female thread BSP-P	DIN EN 10226, ISO 7-1 / DIN EN 10226, ISO 7-1
--------------	----------	---	---

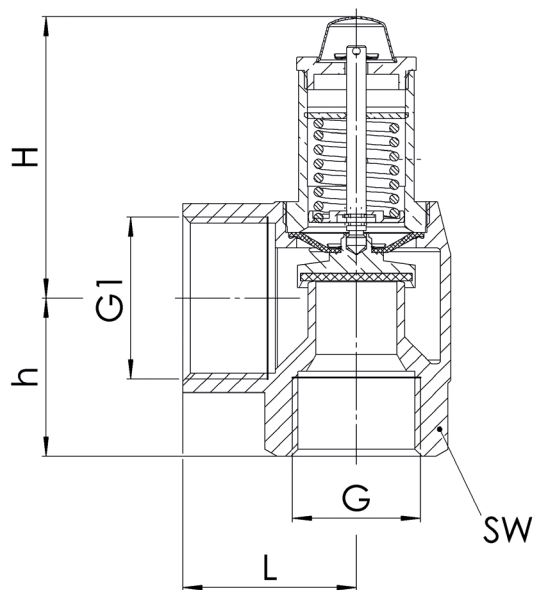
■ SEALS

EPDM	Ethylene propylene diene	Elastomere flat seal and diaphragm (up to 100% glycol resistant)	-10°C to +120°C
-------------	--------------------------	--	-----------------

■ NOMINAL DIAMETERS, CONNECTIONS, INSTALLATION DIMENSIONS

Series 651mHNK VA: Connection, installation dimensions, ranges of adjustment		
Nominal diameter	DN	15
Connection DIN EN 10226-1	G	1/2" (15)
Outlet DIN EN 10226-1	G1	3/4" (20)
Installation dimensions in mm	L	34
	H	70
	h	28
	SW	27
Weight	kg	0,3
Set pressure	bar	2,5 bar
		3 bar

■ MAIN DIMENSIONS, INSTALLATION DIMENSIONS



■ INDIVIDUAL SELECTION / VALVE CONFIGURATION

Series	Valve version	Medium	Lifting device	Variant	Nominal diameter DN	Connection type		Connection size		Seal	Set pressure	Quantity
						Inlet	Outlet	Inlet	Outlet			
651	m	HN	K	VA	15	f	f	15	20	EPDM	2,5	2
651	m	HN	K	VA	15	f	f	15	20	EPDM		
651	m	HN	K	VA	15	f	f	15	20	EPDM		
651	m	HN	K	VA	15	f	f	15	20	EPDM		

■ ENQUIRY

Copy and send to: order@goetze-armaturen.de.

Order form easily to be found online under the section for each series.

■ CAPACITY TABLE

Series 651mHNK VA: Blowing-off rates at 0,5 bar above set pressure

Nominal diameter DN		15	
	Set pressure bar	kW	Kcal/h
Heating	2,50	50	45.000
	3,00	50	45.000

To achieve heating output according to TRD 721, up to three valves per system with separate discharge pipes can be installed.