

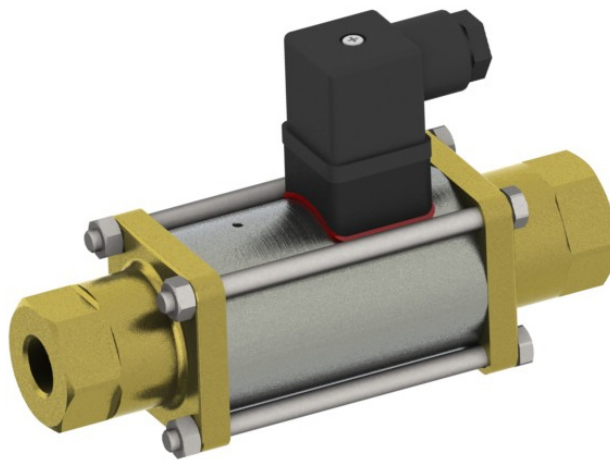
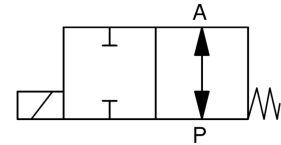
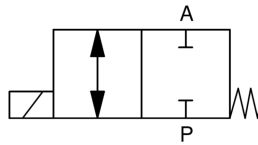
2/2-Wege Coaxialventil 2/2-way coaxial valve

Baureihe 269 Type 269

direktgesteuert
direct acting

Schaltfunktion A: NC (stromlos geschlossen)
Function A: NC (normally closed)

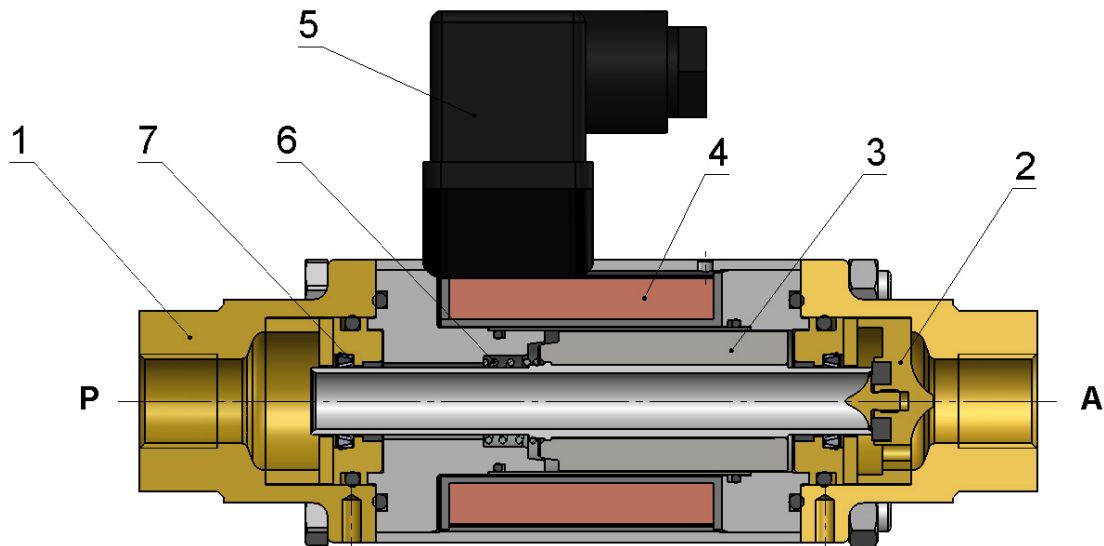
Schaltfunktion B: NO (stromlos offen)
Function B: NO (normally open)



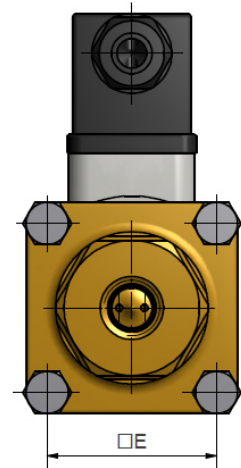
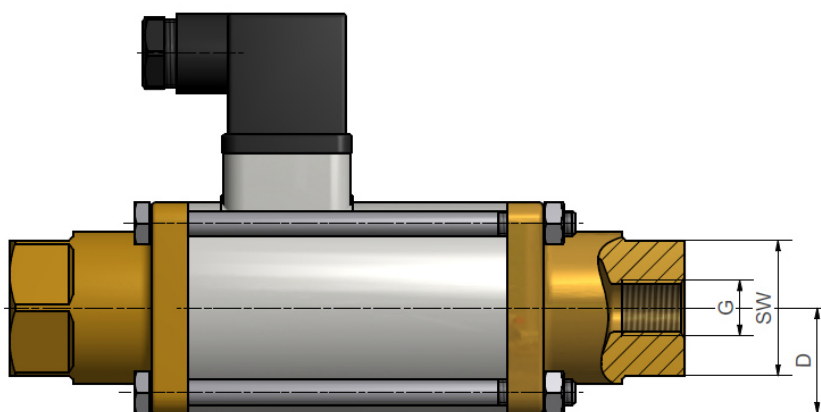
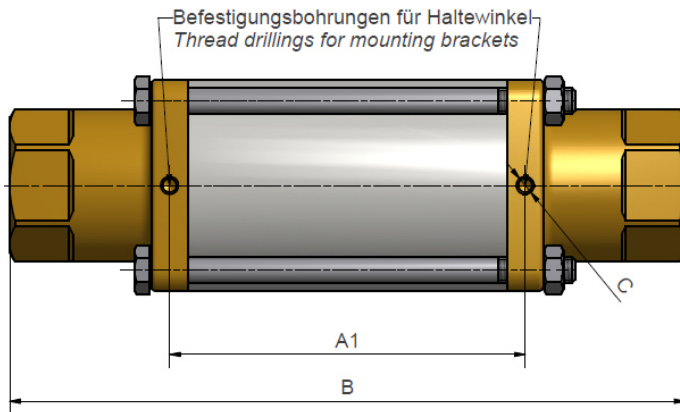
| | | | |
|---------------------------|---|---------------------------|---|
| Nennweite | DN 10 – 25 | Diameter | DN 10 – 25 |
| Druckbereich | 0 – max. 20bar gedrückt bis max. 12bar | Pressure range | 0 – max. 20bar backpressure leakproof up to max. 12bar |
| Gehäusewerkstoff | Messing | Body material | Brass |
| Dichtwerkstoff | statisch: FKM dynamisch: PTFE Sitzdichtung: FKM | Seal material | static: FKM dynamic: PTFE seat seal: FKM |
| Temperatur | Medium: -10°C bis +100°C Umgebung: -10°C bis +50°C | Temperature | Media: -10°C up to +100°C Ambient: -10°C up to +50°C |
| Anschluss | G1/4 – G1 1/4 | Connection | G1/4 – G1 1/4 |
| Durchflussrichtung | P → A max. 20bar A → P max. 12bar | Flow direction | P → A max. 20bar A → P max. 12bar |
| Elektr. Anschluss | Gerätesteckdose nach DIN EN 175301-803 Bauform A, bei Wechselstrombetrieb mit integriertem Gleichrichter | Electr. connection | Plug acc. DIN EN 175301-803 form A, a.c. operation with rectifier integrated |
| Anschlussspannung | 230V 50Hz, 24V DC | Nominal voltage | 230V 50Hz, 24V DC |
| Spannungstoleranz | ±10% nach VDE 0580 | Voltage tolerance | ±10% acc. VDE 0580 |
| Einschaltdauer | 100% ED | Duty factor | 100% ED |
| Schutzart | IP 65 mit montierter Gerätesteckdose | Protection class | IP 65 with plug mounted |
| Einbaulage | beliebig | Mounting | in any position |

2/2-Wege Coaxialventil
2/2-way coaxial valve
Baureihe 269
Type 269

| DN [mm] | Druck Pressure range [bar] | Anschluss Connection | K _v -Wert Flow rate [m ³ /h] | Leistungsaufnahme Power consumption [W] | | Gewicht Weight [kg] |
|------------|----------------------------------|-------------------------|--|---|-----------|---------------------------|
| | | | | 24V DC | 230V 50Hz | |
| 10 | 0 – 20 | G1/4, G3/8, G1/2 | 2,5 | 25 | 29 | 1,7 |
| 15 | 0 – 20 | G3/8, G1/2, G3/4 | 5,2 | 30 | 32 | 3,6 |
| 20 | 0 – 20 | G1/2, G3/4, G1 | 7,0 | 34 | 42 | 5,4 |
| 25 | 0 – 20 | G3/4, G1, G1 1/4 | 12,3 | 51 | 60 | 7,1 |

Schnittzeichnung
Sectional drawing


| Pos. Pos. | Menge / Quantity | Benennung | Description |
|--------------|---------------------|----------------------|-----------------|
| 1 | 2 | Anschlussstück | Adapter fitting |
| 2 | 1 | Ventilsitz | Valve seat |
| 3 | 1 | Anker | Plunger |
| 4 | 1 | Magnet | Solenoid |
| 5 | 1 | Gerätesteckdose | Plug |
| 6 | 1 | Feder | Spring |
| 7 | 2 | PTFE-Stangendichtung | PTFE-rod seal |

2/2-Wege Coaxialventil
2/2-way coaxial valve
Baureihe 269
Type 269
Maßzeichnung
Dimension drawing


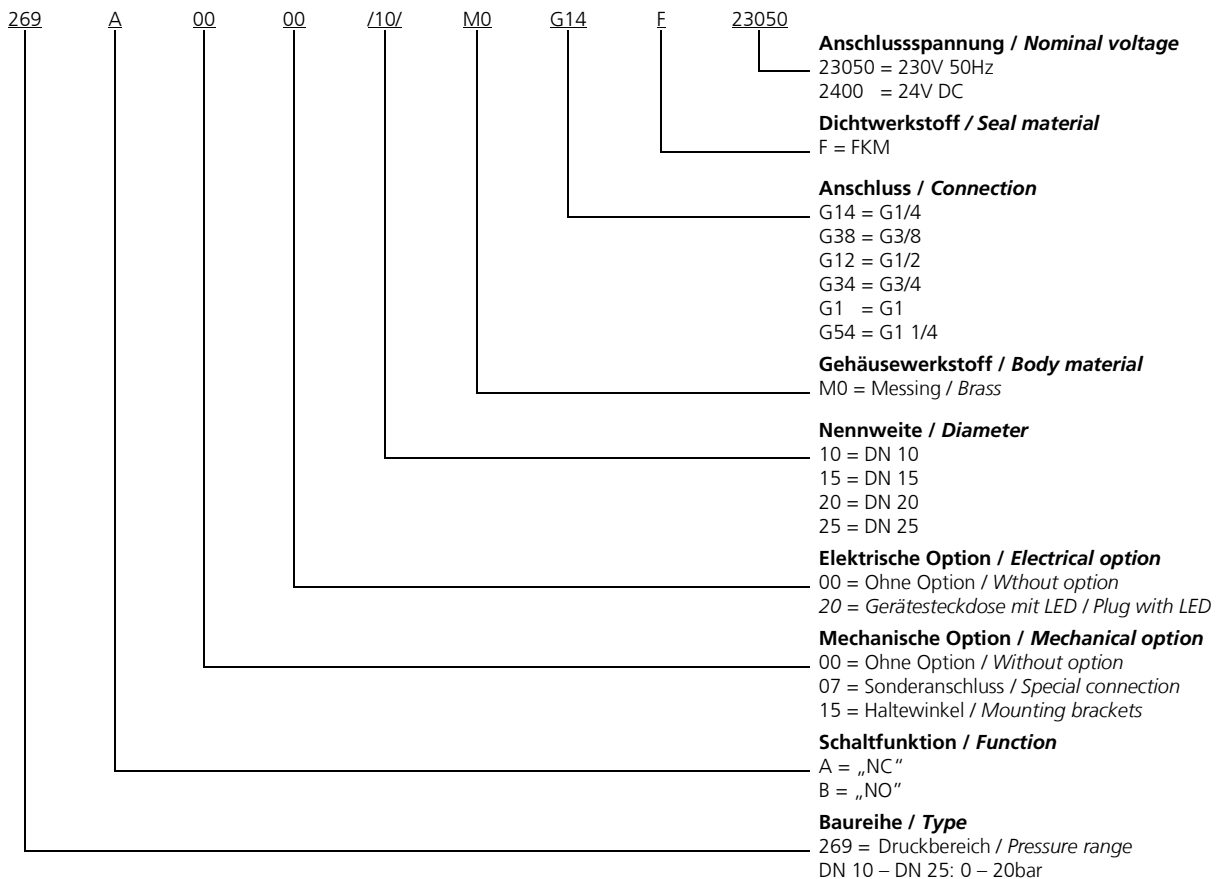
| DN [mm] | G | SW | A1 [mm] | B [mm] | C | D [mm] | E [mm] |
|------------|---------------|----|------------|-----------|----|-----------|-----------|
| 10 | 1/4, 3/8, 1/2 | 32 | 84 | 159,5 | M4 | 25 | 50 |
| 15 | 3/8, 1/2, 3/4 | 41 | 100 | 184 | M5 | 35 | 70 |
| 20 | 1/2, 3/4, 1 | 46 | 108 | 215 | M5 | 40 | 80 |
| 25 | 3/4, 1, 1 1/4 | 55 | 121 | 246 | M5 | 45 | 90 |

2/2-Wege Coaxialventil 2/2-way coaxial valve

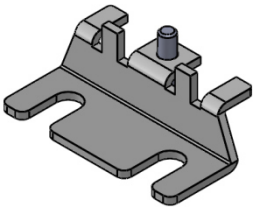
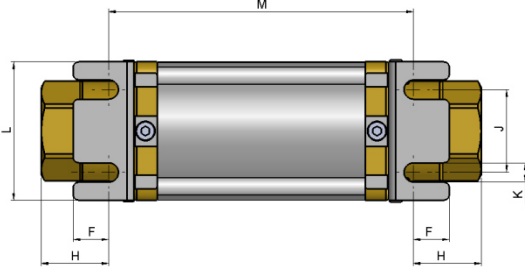
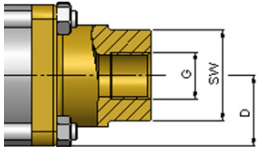
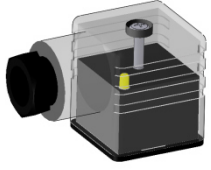
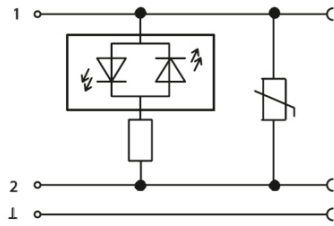
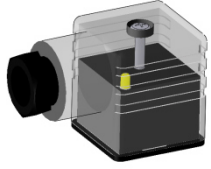
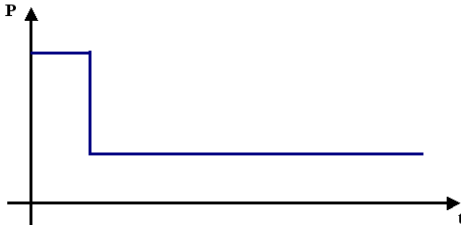
Baureihe 269 Type 269

Typenschlüssel Type code


Die Typenbezeichnung setzt sich zusammen aus:
Structure of the order specification:



2/2-Wege Coaxialventil
2/2-way coaxial valve
Baureihe 269
Type 269
Zubehör
Accessories

|  | <p>Haltewinkel <i>Mounting brackets</i></p> <p>mechanische Option = 15 <i>mechanical option = 15</i></p> |  <table border="1" data-bbox="821 795 1428 996"> <thead> <tr> <th>DN</th> <th>F</th> <th>H</th> <th>J</th> <th>K</th> <th>L</th> <th>M</th> </tr> <tr> <th>[mm]</th> <th>[mm]</th> <th>[mm]</th> <th>[mm]</th> <th>[mm]</th> <th>[mm]</th> <th>[mm]</th> </tr> </thead> <tbody> <tr> <td>10</td> <td>10</td> <td>23,5</td> <td>30</td> <td>7</td> <td>50</td> <td>113</td> </tr> <tr> <td>15</td> <td>10,5</td> <td>23,5</td> <td>45</td> <td>7</td> <td>70</td> <td>139</td> </tr> <tr> <td>20</td> <td>15,3</td> <td>33,5</td> <td>50</td> <td>7</td> <td>80</td> <td>149</td> </tr> <tr> <td>25</td> <td>16</td> <td>34</td> <td>60</td> <td>8,5</td> <td>90</td> <td>178</td> </tr> </tbody> </table> | DN | F | H | J | K | L | M | [mm] | [mm] | [mm] | [mm] | [mm] | [mm] | [mm] | 10 | 10 | 23,5 | 30 | 7 | 50 | 113 | 15 | 10,5 | 23,5 | 45 | 7 | 70 | 139 | 20 | 15,3 | 33,5 | 50 | 7 | 80 | 149 | 25 | 16 | 34 | 60 | 8,5 | 90 | 178 |
|---|--|---|------|-------------------|------|-------------------|----|-------|----|------|------|---------|------|---------|------|------|----|----|------|----|---|----|-----|----|------|------|----|---|----|-----|----|------|------|----|---|----|-----|----|----|----|----|-----|----|-----|
| DN | F | H | J | K | L | M | | | | | | | | | | | | | | | | | | | | | | | | | | | | | | | | | | | | | | |
| [mm] | [mm] | [mm] | [mm] | [mm] | [mm] | [mm] | | | | | | | | | | | | | | | | | | | | | | | | | | | | | | | | | | | | | | |
| 10 | 10 | 23,5 | 30 | 7 | 50 | 113 | | | | | | | | | | | | | | | | | | | | | | | | | | | | | | | | | | | | | | |
| 15 | 10,5 | 23,5 | 45 | 7 | 70 | 139 | | | | | | | | | | | | | | | | | | | | | | | | | | | | | | | | | | | | | | |
| 20 | 15,3 | 33,5 | 50 | 7 | 80 | 149 | | | | | | | | | | | | | | | | | | | | | | | | | | | | | | | | | | | | | | |
| 25 | 16 | 34 | 60 | 8,5 | 90 | 178 | | | | | | | | | | | | | | | | | | | | | | | | | | | | | | | | | | | | | | |
|  | <p>Sonderanschluss <i>Special connection</i></p> <p>mechanische Option = 07 <i>mechanical option = 07</i></p> | <table border="1" data-bbox="893 1086 1348 1288"> <thead> <tr> <th>DN</th> <th>Gewinde-Anschluss</th> </tr> <tr> <th>[mm]</th> <th>Thread-connection</th> </tr> </thead> <tbody> <tr> <td>10</td> <td>G3/4"</td> </tr> <tr> <td>15</td> <td>G1"</td> </tr> <tr> <td>20</td> <td>G1 1/4"</td> </tr> <tr> <td>25</td> <td>G1 1/2"</td> </tr> </tbody> </table> | DN | Gewinde-Anschluss | [mm] | Thread-connection | 10 | G3/4" | 15 | G1" | 20 | G1 1/4" | 25 | G1 1/2" | | | | | | | | | | | | | | | | | | | | | | | | | | | | | | |
| DN | Gewinde-Anschluss | | | | | | | | | | | | | | | | | | | | | | | | | | | | | | | | | | | | | | | | | | | |
| [mm] | Thread-connection | | | | | | | | | | | | | | | | | | | | | | | | | | | | | | | | | | | | | | | | | | | |
| 10 | G3/4" | | | | | | | | | | | | | | | | | | | | | | | | | | | | | | | | | | | | | | | | | | | |
| 15 | G1" | | | | | | | | | | | | | | | | | | | | | | | | | | | | | | | | | | | | | | | | | | | |
| 20 | G1 1/4" | | | | | | | | | | | | | | | | | | | | | | | | | | | | | | | | | | | | | | | | | | | |
| 25 | G1 1/2" | | | | | | | | | | | | | | | | | | | | | | | | | | | | | | | | | | | | | | | | | | | |
|  | <p>Gerätesteckdose mit LED <i>Plug with LED</i></p> <p>elektrische Option = 20 <i>electrical option = 20</i></p> |  | | | | | | | | | | | | | | | | | | | | | | | | | | | | | | | | | | | | | | | | | | |
|  | <p>Gerätesteckdose mit Leistungsabsenkung 24V DC Bauform A <i>Plug with power reduction</i> <i>24V DC</i> <i>form A</i></p> <p>elektrische Option = 07 <i>electrical option = 07</i></p> |  | | | | | | | | | | | | | | | | | | | | | | | | | | | | | | | | | | | | | | | | | | |

2/2-Wege Coaxialventil
2/2-way coaxial valve**Baureihe 269**
Type 269

| | | |
|---|--|--|
|  | Gerätesteckdose M12x1 <i>Plug with M12x1</i> | |
|---|--|--|

Weitere Optionen und Zubehör stimmen wir gerne auf Ihre Anforderungen ab.
We gladly coordinate further options and accessories according to your requirements.