

Ball diverter valve made of stainless steel with threaded connections

→ Series 2700



■ SUITABLE FOR

Liquids	neutral and non-neutral	
Air, gases and vapours	neutral and non-neutral	

■ EXAMPLES OF USE

Ball diverter valve for the installation of for example two safety valves in combination with bursting discs for the protection of containers designed for the storage of cryogenic gases. The requirements of the PED relating to redundant or diverse safety devices are fulfilled by this fitting in combination with safety valves of the 2400 series. On each side two additional connections for bursting discs are available.

In case the safety valves need to be maintained or the bursting discs replaced, the side requiring maintenance can be shut off.

- For the storage of cryogenic liquified gases, such as LIN, LOX, LAr, CO₂, LNG.
- N₂ in pharmaceutical / foodstuffs applications
- O₂ for medical supply equipment
- CO₂ for foodstuffs/ industrial applications
- LAr for welding
- Cooling plants

The ball-valves are oil- and grease-free as standard.

■ APPROVALS

TR ZU 032/2013 - TR ZU 010/2011	D/G (S/G), F (L)
Requirements	
AD 2000 Data sheet A2	
PED 2014/68/EU	



■ MATERIAL



■ SPECIFICATION



3/4" – 1 1/4"

– 200°C to + 120°C

PN 63

■ POSSIBLE MATERIAL COMBINATIONS

Material Combination	Body	Internal parts	Primary Seal	Secondary Seal
M4541	1.4408	1.4404	PTFE mod.	PTFE

further versions on request

■ BALL VERSION

B01	L-Bore
B02	T-Bore

■ MEDIUM

GF	gaseous and liquid	Cryogenic liquified gases, vapours and liquids
-----------	--------------------	--

■ MEANS OF OPERATION

A01	Offset crane handle made of stainless steel
------------	---

■ AVAILABLE NOMINAL DIAMETERS AND CONNECTION SIZES

Nominal diameter DN		15	20	25
Inlet		3/4" (20)	1" (25)	1 1/4" (32)
Outlet	1/2" (15)	■		
	3/4" (20)		■	
	1" (25)			■

■ TYPE OF CONNECTION INLET / OUTLET THREADED CONNECTIONS

f / f	Standard	Female thread BSP-P / Female thread BSP-P	DIN EN ISO 228-1 / DIN EN ISO 228-1
NPT-f / NPT-f	On request	Female thread NPT-f / Female thread NPT-f	ANSI 1.20.1 / ANSI 1.20.1

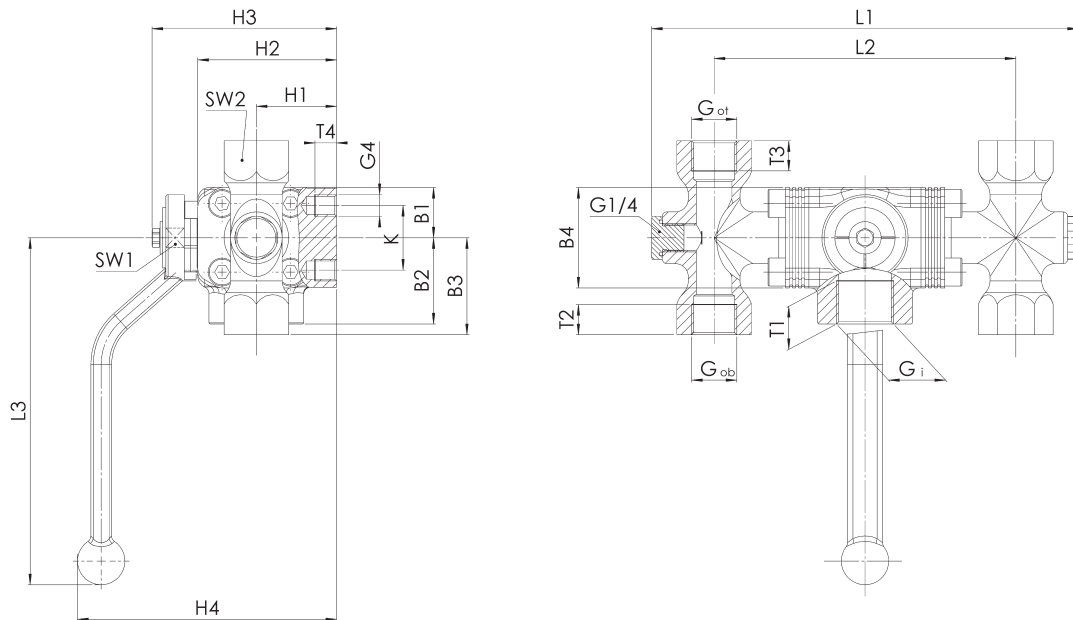
■ OPTIONS

Special versions on request.

■ NOMINAL DIAMETERS, CONNECTIONS, INSTALLATION DIMENSIONS

Series 2700: Connection, installation dimensions		15	20	25
Nominal diameter	DN			
Connection DIN EN ISO 228	Gi	3/4" (20)	1" (25)	1 1/4" (32)
Outlet DIN EN ISO 228	Got / Gob	1/2" (15)	3/4" (20)	1" (25)
Installation dimensions in mm	T1	20	20	21
	T2/T3	14	16	18
	H1	37	41	46
	H2	64	72	82
	H3	86	94	105
	H4	120	128	142
	B1	23	23	33
	B2	40	50	50
	B3	45	52	55
	B4	47	62	66
	L1	198	231	265
	L2	140	165	195
	L3	161	161	184
	SW1	9	9	14
	SW2	30	36	41
	K	30	30	30
G4	M10	M10	M10	
T4	10	10	10	
Test port	G1/4	1/4"	1/4"	1/4"
Weight	kg	2,3	3,8	5,0
Kvs-value	m3/h	6,9	12,2	23,6

■ MAIN DIMENSIONS, INSTALLATION DIMENSIONS



■ INDIVIDUAL SELECTION / VALVE CONFIGURATION

Series	Ball Version	Medium	Operation	Nominal diameter DN	Connection type		Connection size		Material Combination	Options	Quantity
					Inlet	Outlet	Inlet	Outlet			
2700	B02	GF	A01	15	f	f	20	15	M4541		2
2700		GF	A01						M4541		
2700		GF	A01						M4541		
2700		GF	A01						M4541		

In this table you can configure a valve according to your individual requirements (similar to the *example* shown, which should be deleted before you enter your own data). Please complete the table by hand using the abbreviations in this datasheet and then fax it to: +49(0)7141.4889488
Please do not forget to add your personal data so that our sales team can contact you.

Name _____

First Name _____

Company _____

Telephone _____

E-Mail _____