

Reflection Water Level Gauge CL 300

Type 700.B1 (Reflex)

Applications

The liquid water level gauge type 700.B1 is a reflection gauge for direct reading water level in steam boilers. They are equipped with sight glasses with grooves for a clear contrast in the display.

Special Features

- Reflection
- Connection side-side fixed
- Gauge heads integrated
- Glass holder: side plates, hinged
- Handwheel

General Data

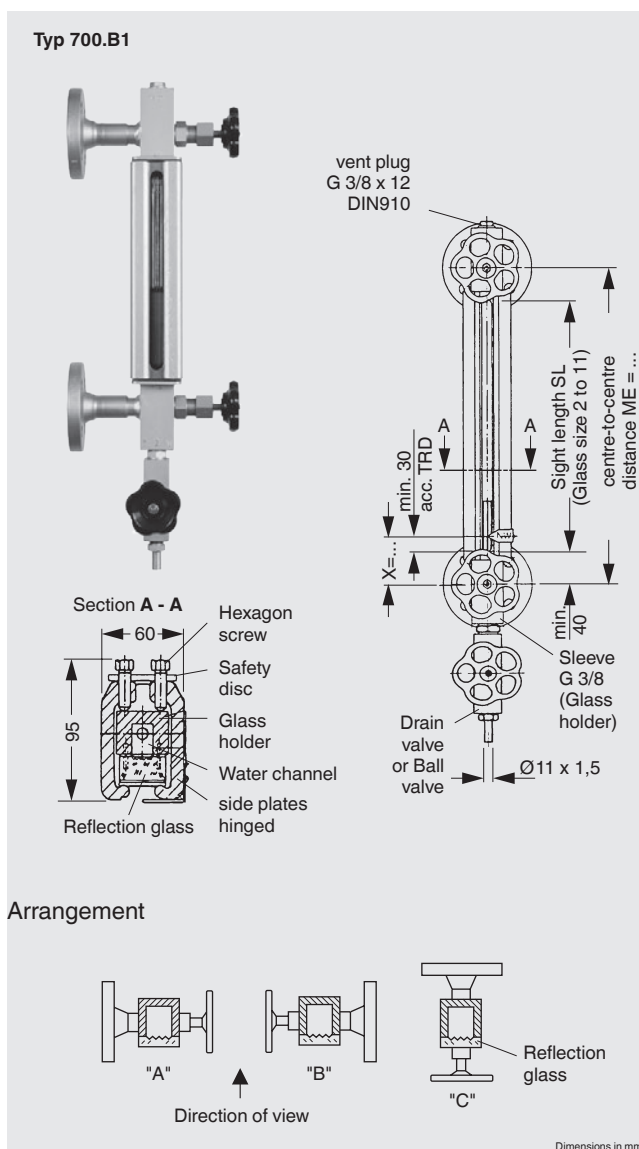
Sight length SL*)	<ME
Glass size**)	2 – 11 (34 x 17 mm)
Actuation	handwheel
Connection gauge head-body	valves integrated
Valve passage	8 mm
Process connection	flange DIN, EN or ANSI
Materials	
- Sight glasses DIN 7081	Borosilikate
- Glass holder	CS
- Connection flanges	CS
- Shut off parts	SS
- Gaskets	Graphite

Design Data

Design temperature / Design pressure	-10...100°C / 40 bar up to 200°C / 32 bar up to 243°C / 30 bar
--------------------------------------	--

Accessories

Pointer	NW-mark acc. to TRD
For shut off valves	automatically closing ball (safety device) (at least 1 bar pressure tanks required for the function)
Glass protection	Mica exterior protection



*) Sight length „SL“ = min. center-center-distance ME – 80 mm
Interruption between 2 sight glasses: min. 50 mm
**) Other glass sizes available on request.
CS (= carbonsteel) and SS (= stainless steel type 316SS) are materials suitable for Pressure Vessels according to EN or ASME.

Glass size / range of centre-to-centre distance

Glass size	2	3	4	5	6	7	8	9	10	11
Glass length / mm	140	165	190	220	250	280	320	340	370	400
SL per segment	120	145	170	200	230	260	300	320	350	380
min. center-to-center-distance / mm										
1 x glass size	200	225	250	280	310	340	380	400	430	460
2 x glass size	370	420	470	530	590	650	730	770	830	890
3 x glass size	540	615	690	780	870	960	1080	1140	1230	1320