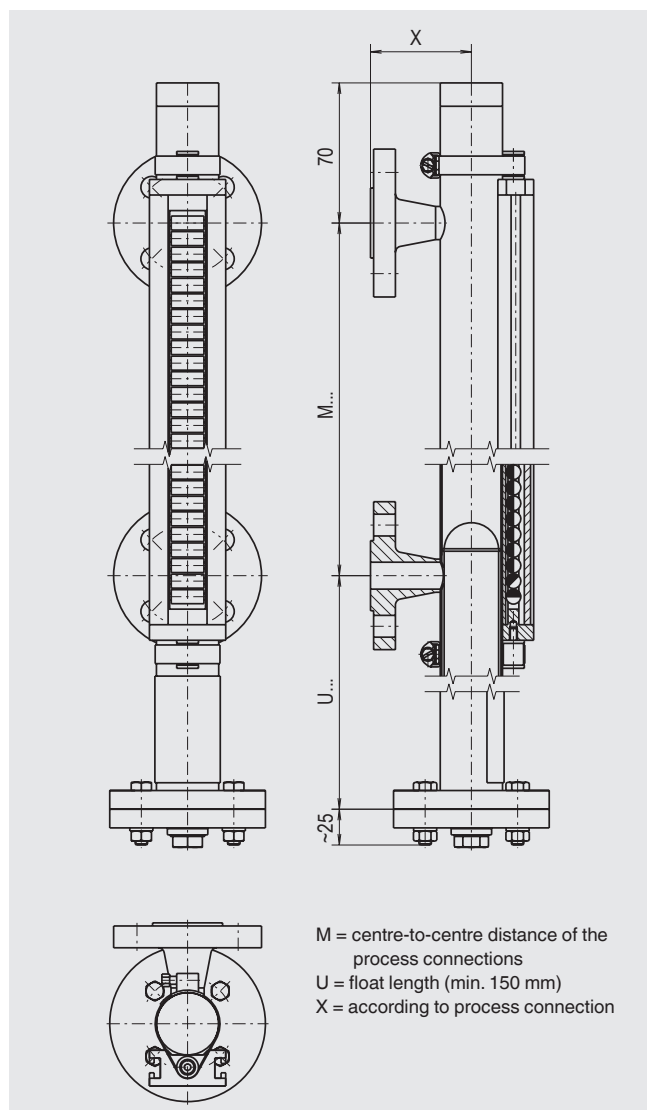


# Bypass level indicator, compact version, model BNA-C

Bypass chamber from stainless steel



| Specifications            |   |
|---------------------------|---|
| Bypass chamber            | Ø 42.2 x 2 mm, max. 40 bar  |
| Chamber end top           | Flat top, flange or threaded connection<br>Options: (see page 14)<br><ul style="list-style-type: none"> <li>■ Vent screw</li> <li>■ Vent valve</li> <li>■ Vent flange</li> </ul>  |
| Chamber end bottom        | Flange connection or threaded connection<br>Options: (see page 14)<br><ul style="list-style-type: none"> <li>■ Drain plug</li> <li>■ Drain valve</li> <li>■ Drain flange</li> </ul>   |
| Process connections       | 2 x lateral (options see page 15)<br>Flange EN 1092-1, DN 10 - DN 50, PN 6 - PN 40<br>Flange DIN, DN 10 - DN 50, PN 6 - PN 40<br>Flange ANSI B 16.5, 1/2" - 2,5", class 150 - class 300<br>Weld stub 1/2" - 1"<br>Threaded bushing G/NPT 1/2" - 1"<br>Threaded nipple G/NPT 1/2" - 1" |
| Centre-to-centre distance | Min. 150 mm to max. 5,000 mm  |
| Material                  | Stainless steel 1.4571 (316Ti)  |
| Nominal pressure          | Max. 40 bar   |
| Temperature range         | -196 ... +150 °C  |
| Float                     | Cylindrical float, model BFT-H32, see data sheet LM 10.02   |
| Magnetic display          | Magnetic display; model BMD-S; see data sheet LM 10.03  |
| Level sensor              | Reed sensor, model BLR, see data sheet LM 10.04<br>Magnetostrictive sensor, model BLM, see data sheet LM 10.05  |
| Magnetic switches         | Magnetic switch, model BGU, see data sheet LM 10.06   |
| Approvals                 | Ex c, GL, DNV, GOST-R   |

Special versions on request