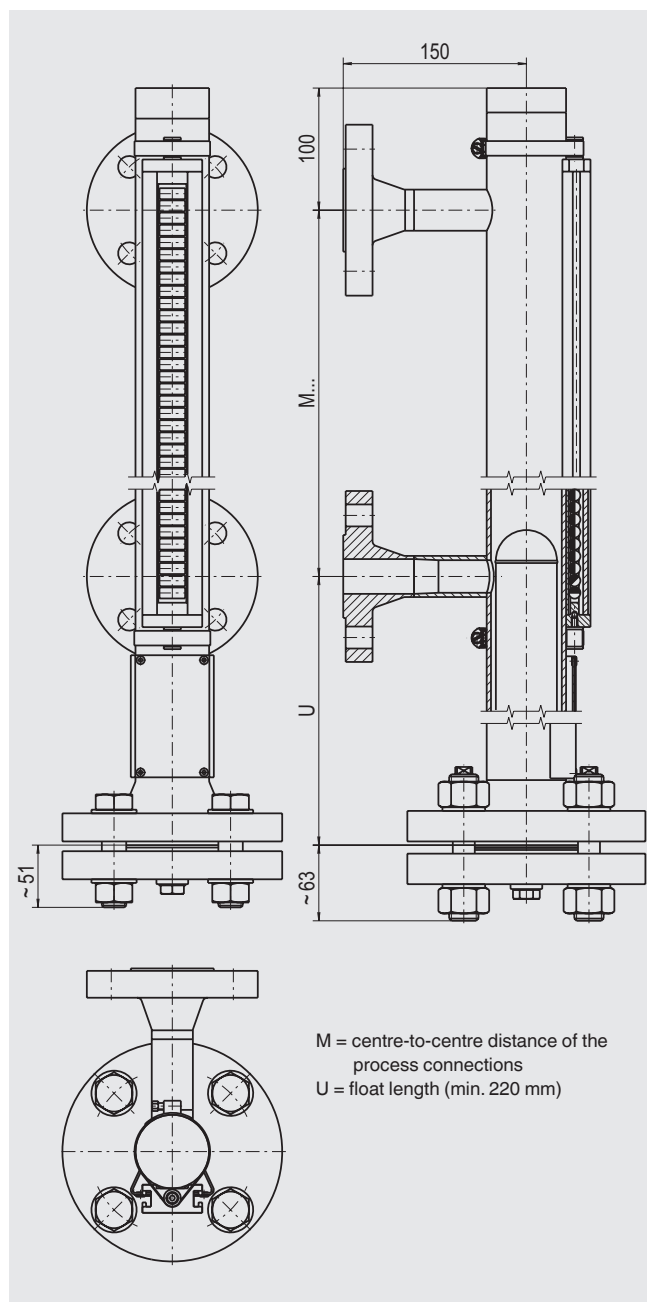


Bypass level indicator, high-pressure version, model BNA-H

Bypass chamber from stainless steel



Specifications

Bypass chamber	Stainless steel 1.4571: \varnothing 60.3 x 3.91 mm, max. 160 bar \varnothing 76.1 x 5 mm, max. 160 bar \varnothing 71 x 7.5 mm, max. 250 bar \varnothing 76.1 x 10 mm, max. 420 bar
	Stainless steel 1.4404: \varnothing 60.3 x 3.91 mm, max. 100 bar \varnothing 60.3 x 5.54 mm, max. 150 bar \varnothing 73 x 7.01 mm, max. 150 bar
Chamber end top	Flat top or flange connection Options: (see page 14) ■ Vent screw ■ Vent valve ■ Vent flange
Chamber end bottom	Flange connection Options: (see page 14) ■ Drain plug ■ Drain valve ■ Drain flange
Process connections	2 x lateral (options see page 15) Flange EN 1092-1, DN 10 - DN 100, PN 63 - PN 400 Flange DIN, DN 10 - DN 100, PN 64 - PN 400 Flange ANSI B 16.5, 1/2" - 4", class 600 - class 2,500 Weld stub 1/2" - 1" Threaded bushing G/NPT 1/2" - 1" Threaded nipple G/NPT 1/2" - 1"
Centre-to-centre distance	Min. 150 mm to max. 6,000 mm (larger distances on request)
Material	Stainless steel 1.4571 (\varnothing 60.3 x 3.91 mm, \varnothing 76.1 x 5 mm, \varnothing 71 x 7.5 mm, \varnothing 76.1 x 10 mm) or stainless steel 1.4404 (\varnothing 60.3 x 3.91 mm, \varnothing 60.3 x 5.54 mm, \varnothing 73 x 7.01 mm)
Nominal pressure	Max. 400 bar
Temperature range	-196 ... +450 °C
Float	Cylindrical float, model BFT-H, ball-segment float, model BFT-K or foam float, model BFT-F, see data sheet LM 10.02
Magnetic display	Standard version, model BMD-S: < 200 °C High-temperature version, model BMD-F: > 200 °C, see data sheet LM 10.03
Level sensor	Reed sensor, model BLR, see data sheet LM 10.04 Magnetostrictive sensor, model BLM, see data sheet LM 10.05
Magnetic switches	Magnetic switch, model BGU, see data sheet LM 10.06
Approvals	Ex c, GL, DNV, GOST-R

Special versions on request