

Sight Glass Fittings, circular PN 6

to be **welded** directly to tank



Bauform 119

Application:

For observation and lightning the inside of closed containers (boilers, tanks, silos a.s.o)

Following DIN 28120

Delivery includes:

Complete fitting, consisting of base and cover flange, glass plate, sealings and screws

For low pressure
up to 6 bar

Operating conditions:

Working pressure: 6 bar
Working temperature: 150°C or 280°C

Materials:

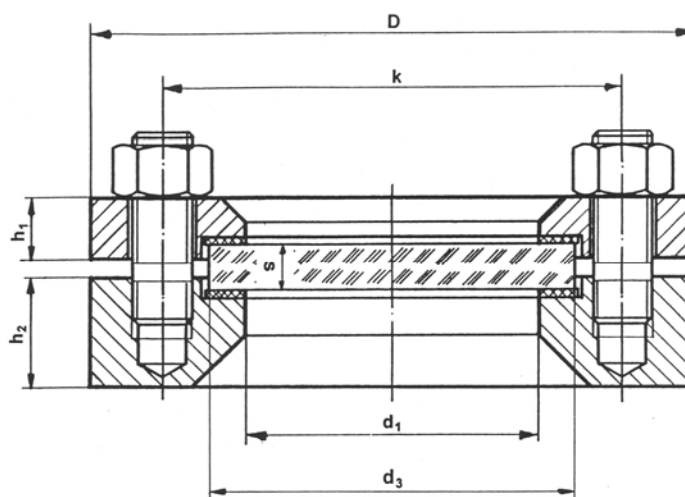
Base flange: RSt 37-2, H II, WN 1.4541, WN 1.4571
Cover flange: RSt 37-2, H II, WN 1.4541, WN 1.4571
Glassplate: Borosilicate glass acc. to DIN 7080
Soda lime glass acc. to DIN 8902
Gasket: asbestos free or other materials
Screws: 5. 6 galv., A2-70, A4-70

Options:

- Sight glass wiper Bauform 190 + 195
- Spray washer Bauform 198
- Safety double windows Bauform 126
- Sight glass light fittings
- With O-ring-sealing (for vacuum)
- Special design acc. to customer

Certificate: (Option)

Acc. to EN 10204-2.2 or
Acc. to EN 10204-3.1



Dimensions:

DN	d ₁	d ₃	s	D	k	h ₁	h ₂	Screws
50	80	100	15	165	125	16	30	4 x M 16
80	100	125	15	200	160	18	30	4 x M 16
100	125	150	15	220	180	18	30	8 x M 16
125	150	175	20	250	210	18	30	8 x M 16
150	175	200	20	285	240	18	30	8 x M 20
200	225	250	25	340	295	20	30	8 x M 20

Modifications reserved



AVEMAR CZECH s.r.o. | speciální armatury pro měření a regulaci |
Branch office Lihovarská 1199/10 | 716 03 Ostrava - Radvanice | Česká republika |
Tel.: +420 596 232 996 (7) | Fax: +420 596 232 998 | www.avemar.cz | avemar@avemar.cz |