

Strainer, Y - type

with flanged connection acc. to **ANSI - 150 lbs**



Bauform 140-A

Application:

Preferably installed in front of measuring instruments, control valves, pumps and sensitive systems.

Operating conditions:

Nominal pressure : 150 lbs
Nominal Temp max. 300°C

Standard Materials:

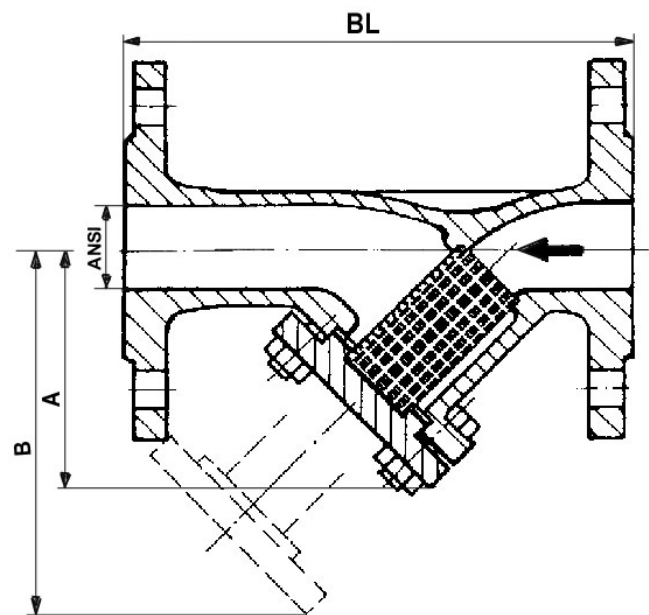
Body :	WN 1.4408	GS-C 25
Covers :	WN 1.4408/4571	GS-C 25 / H II
Screws:	A4 – 70	5.6 gal.
Screen:	WN 1.4571 / 1.401	
Gasket :	Graphit (or other materials)	

Options:

Double screen in WN 1.4571
with flanged connection acc to DIN
Drain plug
Heating jacket

Ordering example:

Strainer,Y-type Bauform 140-A
stainless steel
ANSI 2", 150 lbs



Dimension:

ANSI	BL (DIN F1)	A	B	Mesh-size
1/2"	130	75	115	0,6
3/4"	150	80	125	
1"	160	90	135	0,8
1 1/4"	180	90	135	
1 1/2"	200	110	170	
2"	230	120	190	
2 1/2"	290	140	220	1,2
3"	310	165	265	
4"	350	220	340	
5"	400	260	350	1,5
6"	480	300	510	
8"	600	360	580	
10"	730	495	720	

Modifications reserved



AVEMAR CZECH s.r.o. | speciální armatury pro měření a regulaci |
Branch office | Podvihovská 378/12C | 747 70 Opava 9 - Komárov | česká republika |
Tel.: +420 553 764 015 | Fax: +420 553 654 820 | www.avemar.cz | avemar@avemar.cz |