

# High pressure

## Sight glass indicator



Bauform 912

### Application:

The flow indicators are used for optical control of fluids and gases, for horizontal and vertical pipe lines.

### Installation:

Optional

### Operating conditions:

Working pressure: up to 160 bar  
Working temperature: with borosilicate glass max. 280°C  
with quartzglass up to 500°C

### Possible Connection:

Flange connection acc. to DIN up to PN 160  
Flange connection acc. to ANSI up to 1.500 LBS  
Butt weld ends  
Female-threaded

### Dimensions:

Working pressure and nominal diameter have an effect on the length.

### Materials:

All materials which can be welded are possible.

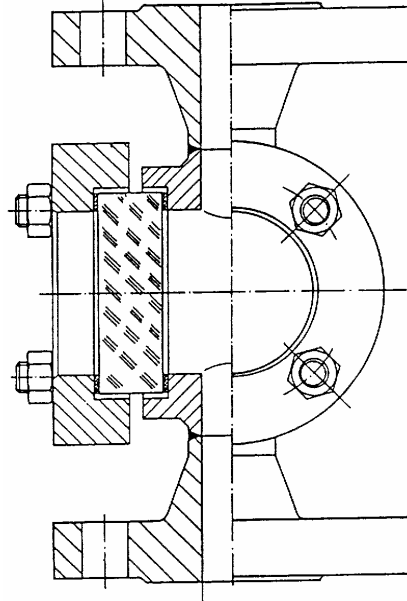
### Certificate: ( Option )

Acc. to EN 10204 - 2.2 or  
Acc. to EN 10204-3.1.B

### Options:

with - ANSI-flanges  
- Butt weld ends  
- Heating jacket  
- Sight glass light - fittings

### High pressure - design



Modifications reserved



AVEMAR CZECH s.r.o. | speciální armatury pro měření a regulaci |  
Branch office Lihovarská 1199/10 | 716 03 Ostrava - Radvanice | Česká republika |  
Tel.: +420 596 232 996 (7) | Fax: +420 596 232 998 | www.avemar.cz | avemar@avemar.cz |